

Engine Idle Timer

ProTime

A heavy duty compact unit that provides timed engine shutdown for protection of the turbo charger and engine components.

FEATURES

- Compact Design
- Simple Installation
- Reliable Operation
- Selectable Timing 1 – 2 – 3 or 5 minute
- Low Profile Combination Indicator / Override Switch
- Australian Design & Manufacture

BENEFITS

- Engine & Turbo component life extended
- Automatic Shutdown reduces operator waiting time

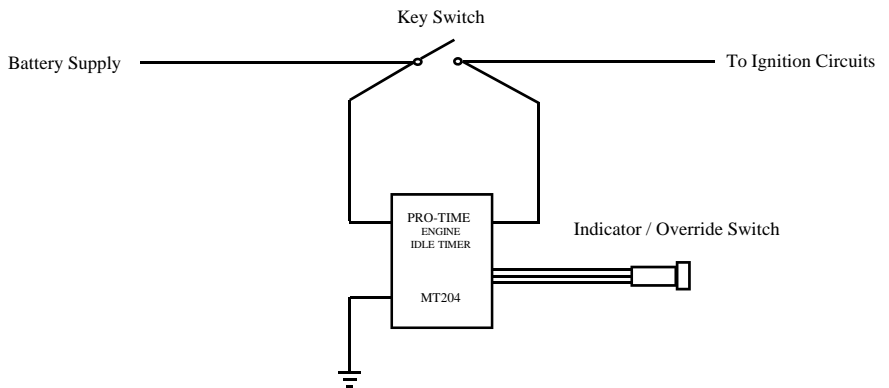


MODEL: MT204

SPECIFICATIONS

Voltage	12/24V
Standby Current	15mA
Operating Current	85mA
Timing Accuracy	+/- 10%
Maximum Load	10 Amp
Time Settings	1,2,3 or 5 min

Typical Installation Schematic



sales@montronics.com.au

SYDNEY
67 Silverdale Rd
Silverdale NSW 2752
Ph: (02) 4774 1228
Fax: (02) 4774 1136

HUNTER VALLEY
Unit 3, Lot 1 Rosella St
Singleton NSW 2330
Ph: (02) 6571 2775
Fax: (02) 6571 2776